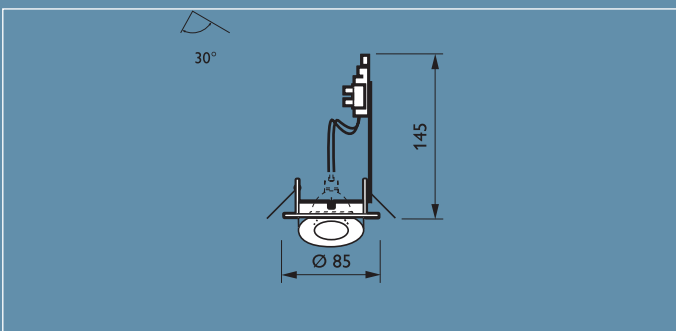




QBD570 ALU



Dimensions in mm



Zadora (adjustable)

Recessed adjustable downlights for MASTER Line 35 mm, MASTER Line ES dichroic halogen lamp with beams of 8°, 24°, 36° and 60° and Twistline Alu lamps. Available in white, chrome, gold, brushed aluminium, black, matt satin, metal grey, and black nickel. Ready-to-install kit versions (downlight, lamp, transformer) available for 12 V/50 W MASTER Line lamps in electromagnetic Class I, Class II, and HF Class II. Kit range also includes a 230 V Twistline Alu version. Kits are available in white, chrome, gold, and brushed aluminium.

Applications

- Office spaces
- Small independent food/non-food shops
- High-end fashion shops, boutiques

Technical description

- Power supply: 12 V or 230 V (Twistline Alu)
- Lamp position: vertical
- Orientation from vertical:
 - 30° QBD561/QBD563/QBD564/QBD565/QBD567/QBD570
 - 20° QBS240
- Orientation from horizontal:
 - 360° QBD561/QBD564/QBD565
 - 180° QBS240
- Lamp socket:
 - GU5.3: MASTER Line ES
 - GU4: MASTER Line 35 mm
 - GZ10: Twistline Alu

Installation

Cut-out:

- Ø 64 mm QBD567
- Ø 75 mm QBD570
- Ø 83 mm QBD564
- Ø 90 mm QBD561, QBD565
- Ø 106 mm QBS240
- 80 x 90 mm QBD563.

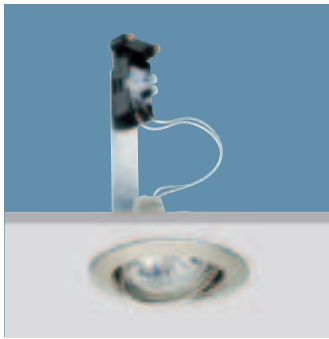
Thickness of false-ceiling: 1 - 25 mm.

Method: springs.

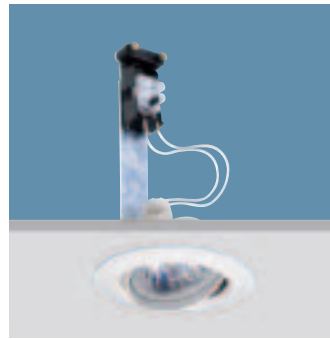
Safety distance: 0.5 m.

Maintenance: direct lamp access (front clip).

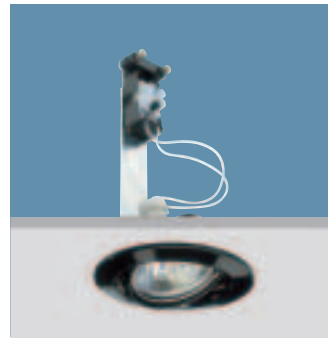
Direct lamp access without clip for QBS240.



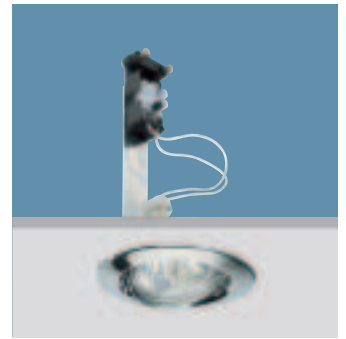
QBD570 ALU



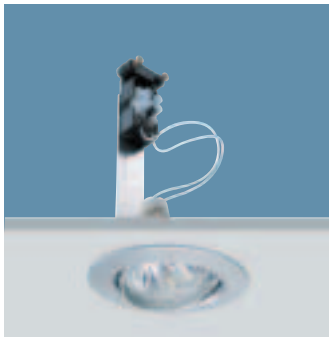
QBD570 WH



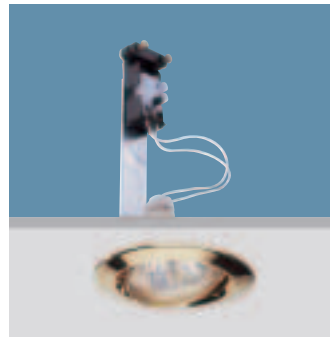
QBD570 BK



QBD570 CR



QBD570 MAT

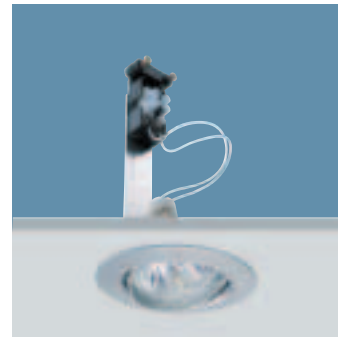


QBD570 GO

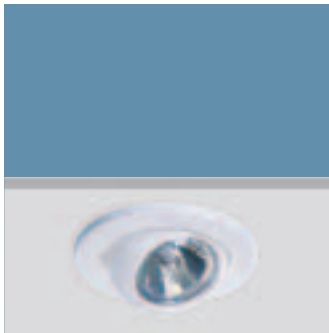
Dimensions in mm



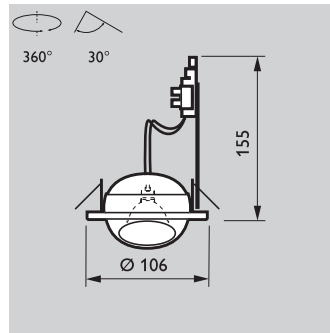
QBD570 ANT



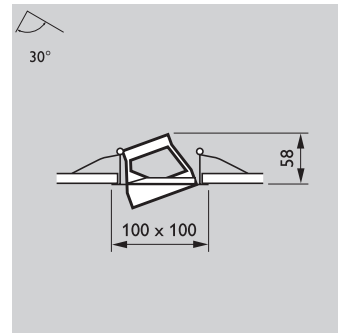
QBD570 GR



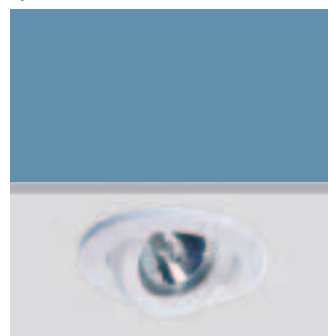
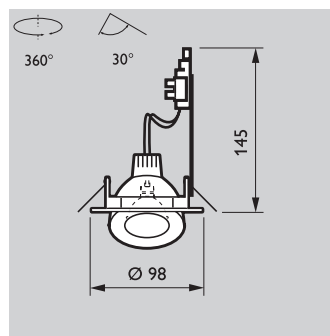
QBD561 WH



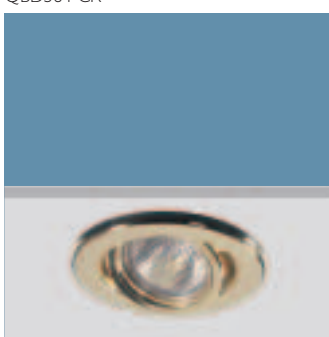
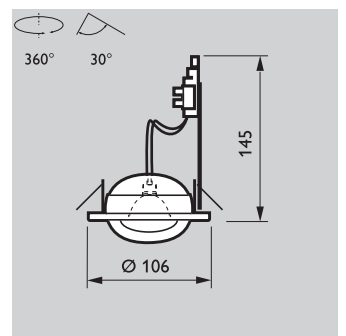
QBD563 WH



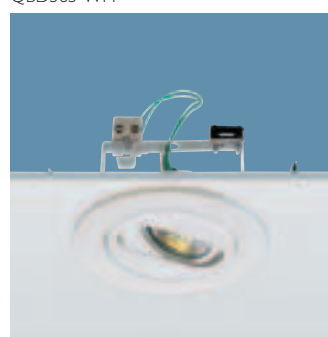
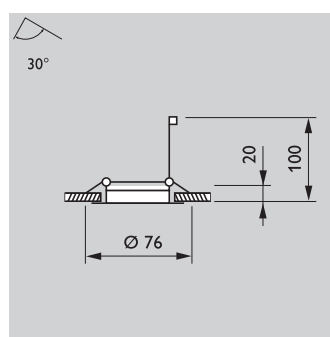
QBD564 CR



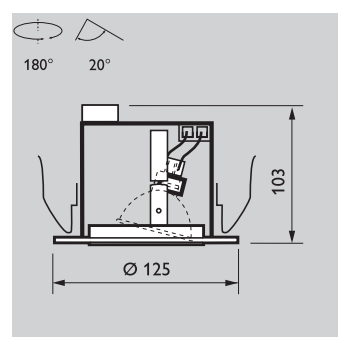
QBD565 WH



QBD567 GO



QBS240 WH



Preferred selection

Product ID	Colour (see below)	Weight (kg)	European Order Code (EOC)
QBD561 1xHAL-MR50-45W 12V BR CR	CR	0.11	56632099
QBD561 1xHAL-MR50-45W 12V BR GO	GO	0.20	40090799
QBD561 1xHAL-MR50-45W 12V BR WH	WH	0.20	40088499
QBD563 1xHAL-MR50-45W 12V BR GO	GO	0.34	40074700
QBD563 1xHAL-MR50-45W 12V BR WH	WH	0.34	40072300
QBD564 1xHAL-MR50-45W 12V BR CR	CR	0.11	56634400
QBD564 1xHAL-MR50-45W 12V BR GO	GO	0.30	40078500
QBD564 1xHAL-MR50-45W 12V BR WH	WH	0.30	40076100
QBD565 1xHAL-MR50-45W 12V BR CR	CR	0.11	56636899
QBD565 1xHAL-MR50-45W 12V BR GO	GO	0.22	40082299
QBD565 1xHAL-MR50-45W 12V BR WH	WH	0.22	40080899
QBD567 1xHAL-PR35-20W-GU4 12V GO	GO	0.06	15746799
QBD567 1xHAL-PR35-20W-GU4 12V WH	WH	0.06	15744399
QBD570 1xHAL-MR50-45W 12V BR ALU	ALU	0.16	57331199
QBD570 1xHAL-MR50-45W 12V BR ANT	ANT	0.16	57335999
QBD570 1xHAL-MR50-45W 12V BK	BK	0.16	57348999
QBD570 1xHAL-MR50-45W 12V BR BK	BK	0.16	57332899
QBD570 1xHAL-MR50-45W 12V BR CR	CR	0.14	57329899
QBD570 1xHAL-MR50-45W 12V GO	GO	0.16	57346599
QBD570 1xHAL-MR50-45W 12V BR GO	GO	0.16	57330499
QBD570 1xHAL-MR50-45W 12V BR GR	GR	0.16	57334299
QBD570 1xHAL-MR50-45W 12V BR MAT	MAT	0.16	57333599
QBD570 1xHAL-MR50-45W 12V WH	WH	0.16	57344199
QBD570 1xHAL-MR50-45W 12V BR WH	WH	0.14	57328199
QBD570 1xHAL-MR50-45W K 230/12V CLI ALU	ALU	1.30	57407300
QBD570 1xHAL-MR50-45W K 230/12V CLI CR	CR	1.30	57405900
QBD570 1xHAL-MR50-45W K 230/12V CLI GO	GO	1.30	57406600
QBD570 1xHAL-MR50-45W K 230/12V CLI WH	WH	1.14	57404200
QBD570 1xHAL-MR50-45W K ET 230/12V ALU	ALU	1.30	57435600
QBD570 1xHAL-MR50-45W K ET 230/12V CR	CR	1.30	57433200
QBD570 1xHAL-MR50-45W K ET 230/12V GO	GO	1.30	57434900
QBD570 1xHAL-MR50-45W K ET 230/12V WH	WH	1.30	57432500

ALU = Aluminium

GO = Gold

ANT = Anthracite

GR = Grey

BK = Black

MAT = Matt satin

CR = Chrome

WH = White